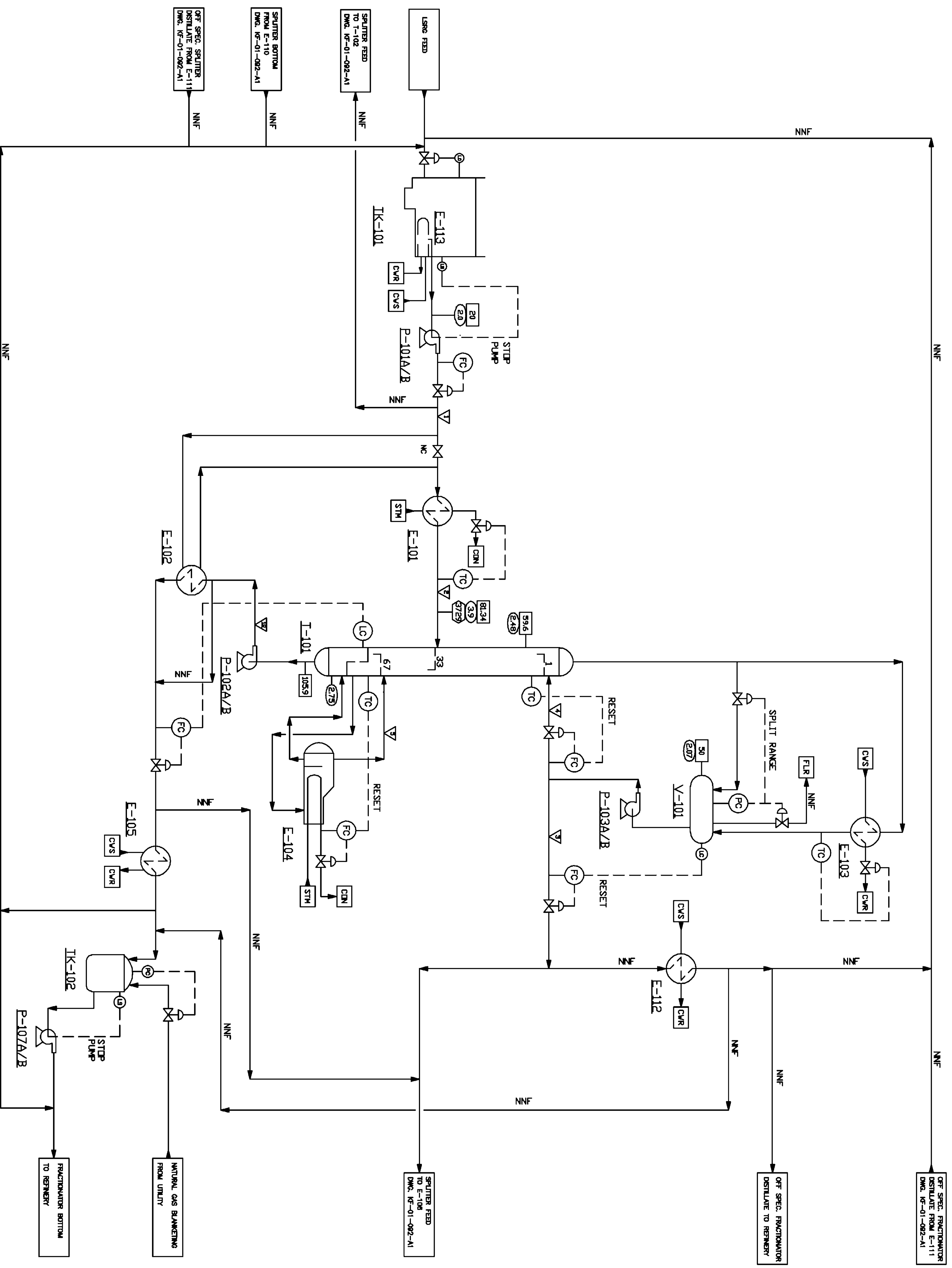


TK-101	E-113	E-101	E-102	T-101	E-103	E-104	E-105	V-101	TK-102	E-112
FEED STORAGE TANK	FEED STORAGE TANK COOLER	FRACTIONATOR FEED HEATER	FRACTIONATOR FEED HEAT EXCHANGER	FRACTIONATOR TOWER	FRACTIONATOR CONDENSER	FRACTIONATOR REBULLER	FRACTIONATOR BOTTOM COOLER	FRACTIONATOR RECEIVER	FRACTIONATOR BOTTOM TANK	OFF SPEC. PRODUCT COOLER
	DUTY: 22.54 KJ/s	DUTY: 194.11 KJ/s	DUTY: 88.75 KJ/s		DUTY: 69.77 KJ/s	DUTY: 73.12 KJ/s	DUTY: 245.11 KJ/s			DUTY: 15.1 KJ/s



NOTES:

LEGEND

- ▽ STREAM No.
- TEMP. , °C
- PRESS. , BAR A
- ◇ FLOW RATE , KG/HR
- ◇ CODING WATER SUPPLY
- ◇ CODING WATER RETURN
- ◇ STN STEAM
- ◇ CNM CONDENSATE
- ◇ FLR FLARE

NO.	REVISION	DATE	BY	CHECKED	APPROVED
1					
2					
3					
4					
5					

DRAWING TITLE : PENTANE PRODUCTION PLANT  
 (SEPARATION SECTION)  
 PROCESS ENGINEERING DEPT.  
 N.I.O.C. RESEARCH INSTITUTE OF  
 PETROLEUM INDUSTRY

SCALE	1:1	DATE	04/08
JOB NO.	18130408	AREA CODE	
DWG NO.	KF-01-091-A1		